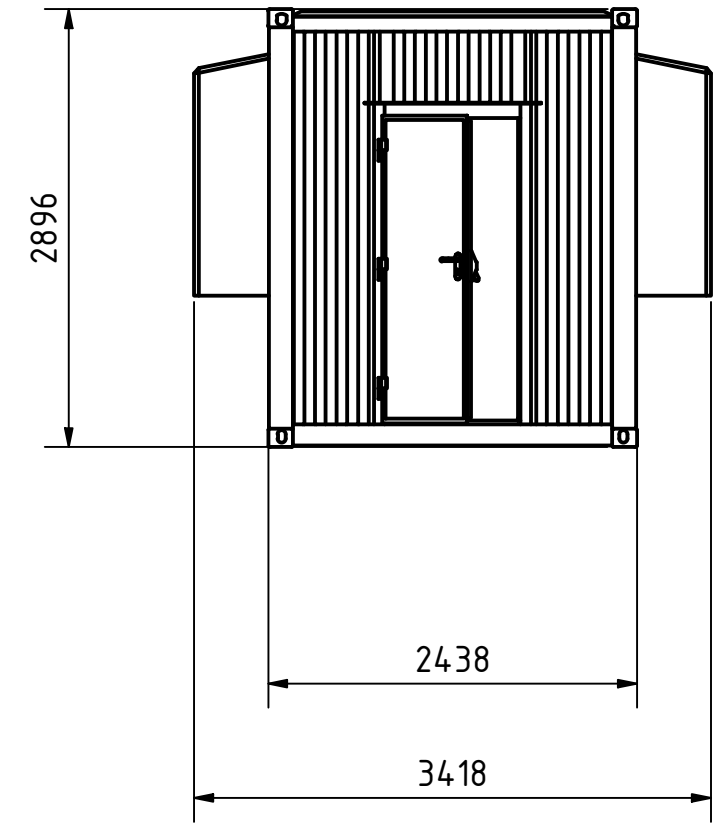


earthing point

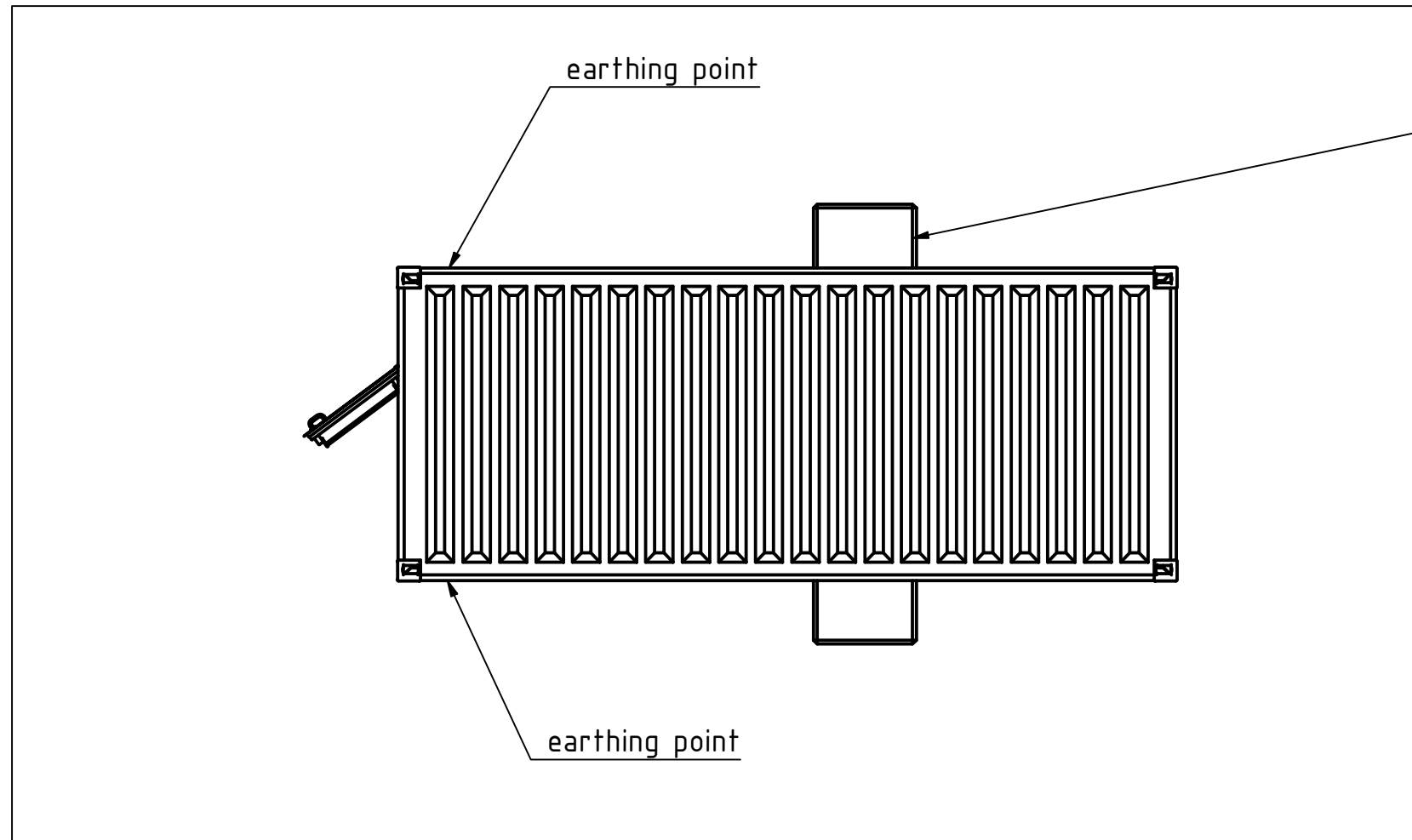
6058



2896

2438

3418



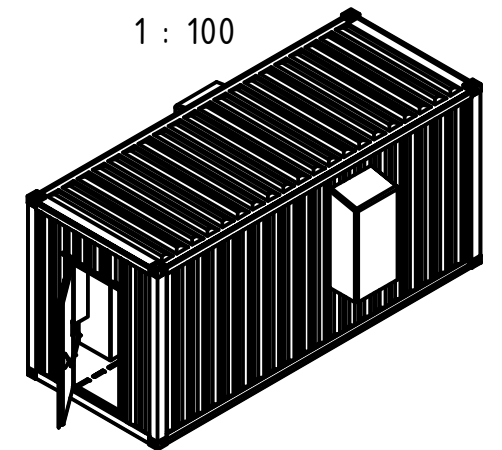
earthing point

compact air-conditioning-unit

earthing point

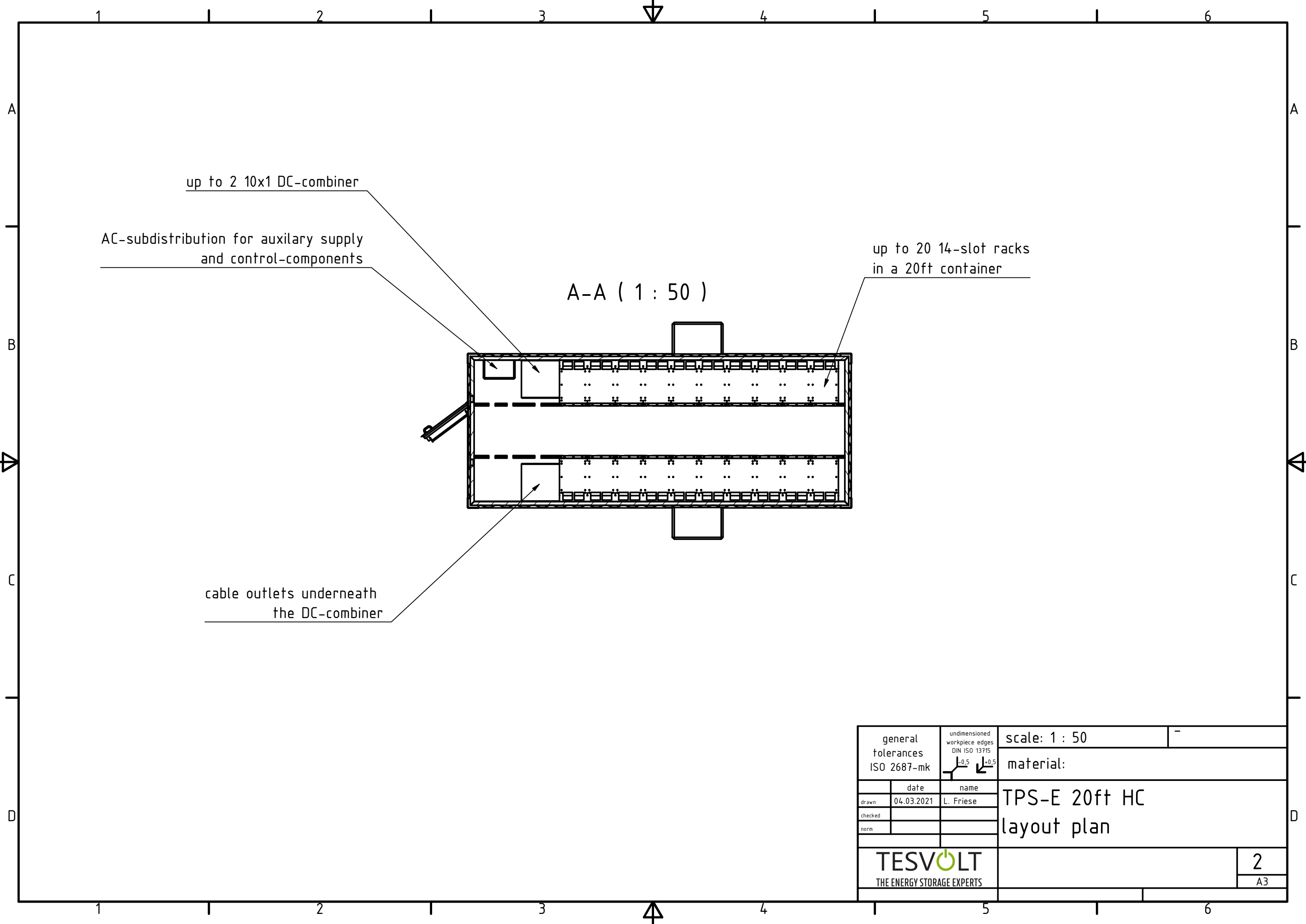
suggested clearance around
the battery container

1 : 100



All dimensions can differ to the final product.

general tolerances ISO 2687-mk		undimensioned workpiece edges DIN ISO 13715 ±0,5 ±0,5	scale: 1 : 50	-
date		name	material:	
drawn	04.03.2021	L. Friese	TPS-E 20ft HC	
checked			layout plan	
norm				
			1	
			A3	



general tolerances ISO 2687-mk		undimensioned workpiece edges DIN ISO 13715 ±0,5	scale: 1 : 50	-
date		name	material:	
drawn	04.03.2021	L. Friese	TPS-E 20ft HC	
checked			layout plan	
norm				
 THE ENERGY STORAGE EXPERTS			2	
			A3	